

For reference only. See data sheet for the detailed specifications.

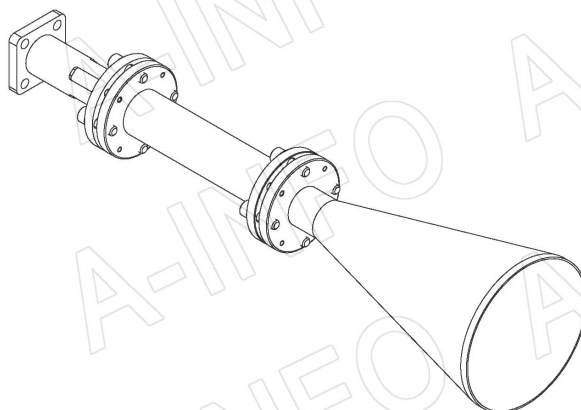
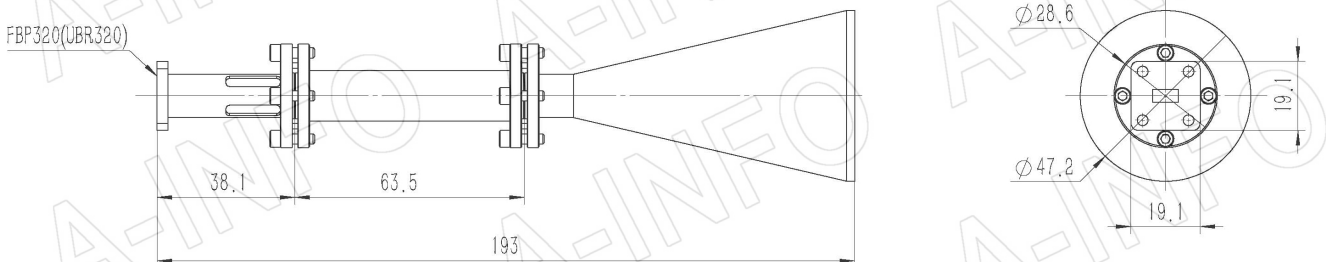
Technical Specification



Frequency Range(GHz)	23.5 – 43.5
Waveguide	WR28
Gain(dBic)	20 Typ.
Polarization	LHCP
Axial Ratio(dB)	2.5 Typ. ; 4.0 Max.
3dB Beamwidth(deg)	E Plane: 13 Typ.
	H Plane: 13 Typ.
VSWR	A Type: 1.25:1 Max.
	C Type: 1.50:1 Max.
Output	A Type: FBP320(UBR320)
	C Type: 2.4mm-Female or 2.92mm-Female
Material	Al
Finish	Gold Plated, Gray Paint
Size(mm)	A Type: 47.2 x 47.2 x 193
	C Type: 47.2 x 47.2 x 215.9
Net Weight(Kg)	A Type: 0.13 Around
	C Type: 0.17 Around

Outline Drawing (Size: mm)

FBP320 Output (P/N: LB-CNH-28-20-L62-A)



AINFO Inc.

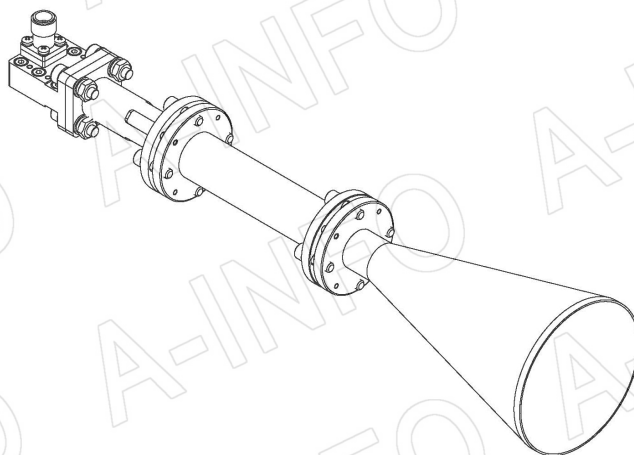
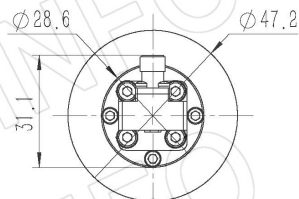
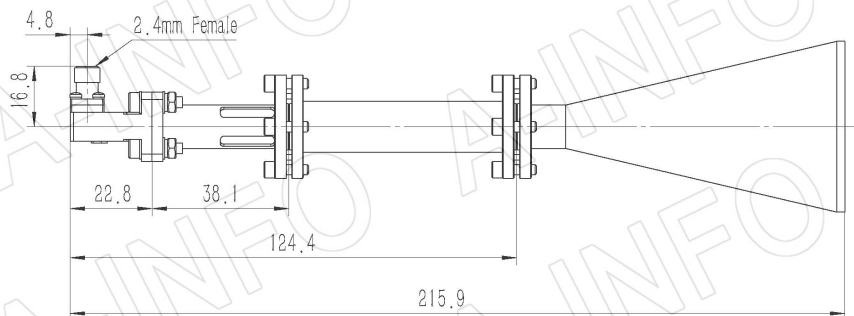
China(Beijing): Tel: (+86) 10-6266-7326,
China(Chengdu): Tel: (+86) 28-8519-2786,
USA : Tel: (+1) 949-639-9688,

Page 1 of 12
(+86) 10-6266-7327 Fax: (+86) 10-6266-7379
(+86) 28-8519-3044 Fax: (+86) 28-8519-3068
(+1) 949-639-9608 Fax: (+1) 949-639-9670

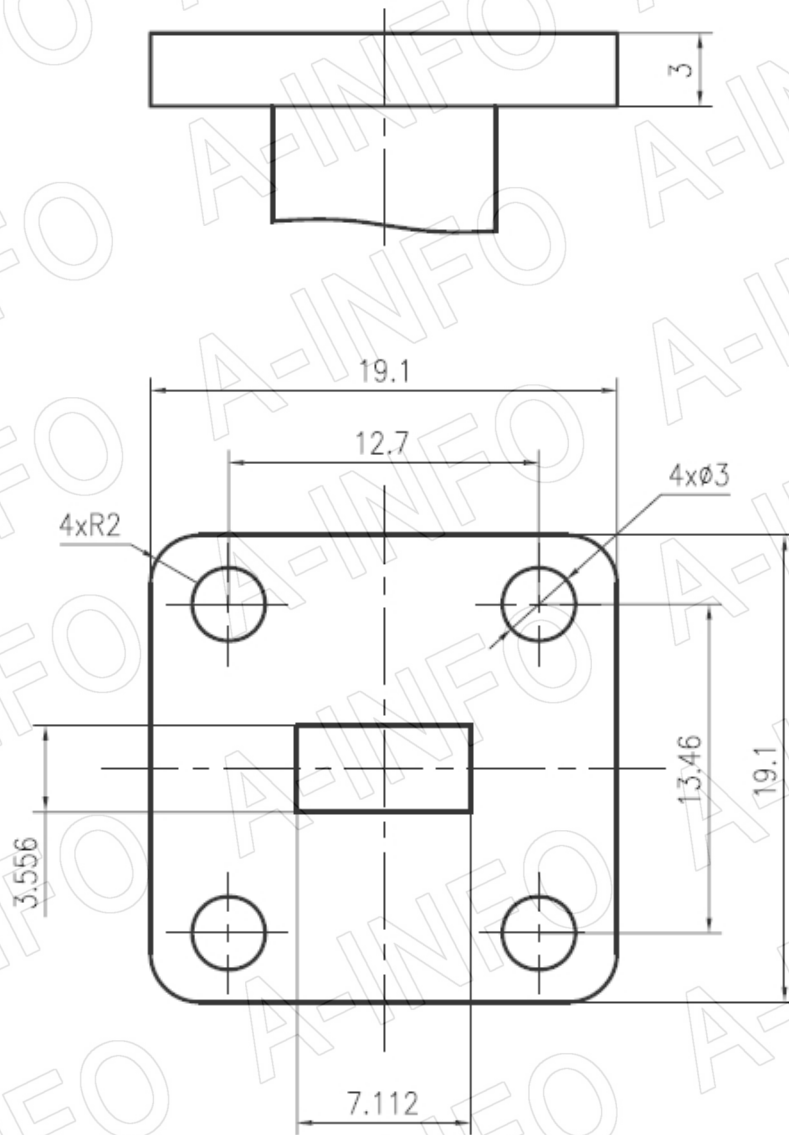
Website: www.ainfoinc.com
Email: sales@ainfoinc.com

2.4mm-Female Output (P/N: LB-CNH-28-20-L62-C-2.4F)

For 2.92mm-Female output outline drawing, please contact A-INFO.



Flange Drawing (Size: mm)



FBP320

AINFO Inc.

China(Beijing): Tel: (+86) 10-6266-7326,
China(Chengdu): Tel: (+86) 28-8519-2786,
USA : Tel: (+1) 949-639-9688,

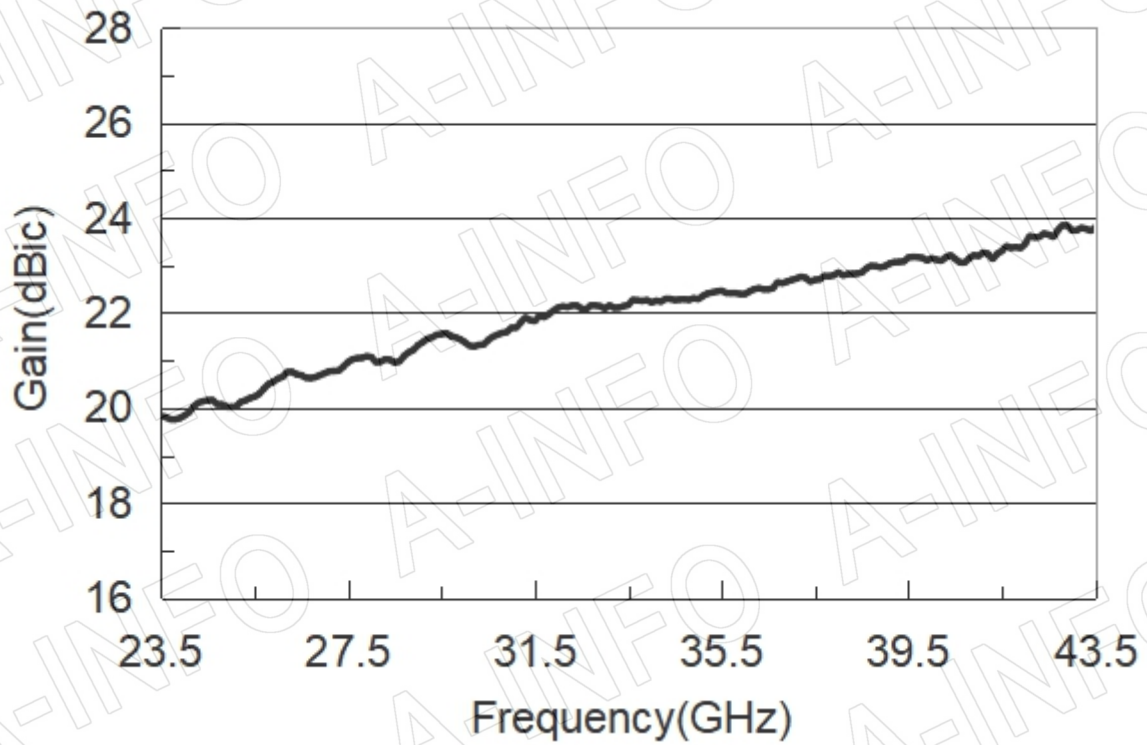
Page 3 of 12

(+86) 10-6266-7327 Fax: (+86) 10-6266-7379
(+86) 28-8519-3044 Fax: (+86) 28-8519-3068
(+1) 949-639-9608 Fax: (+1) 949-639-9670

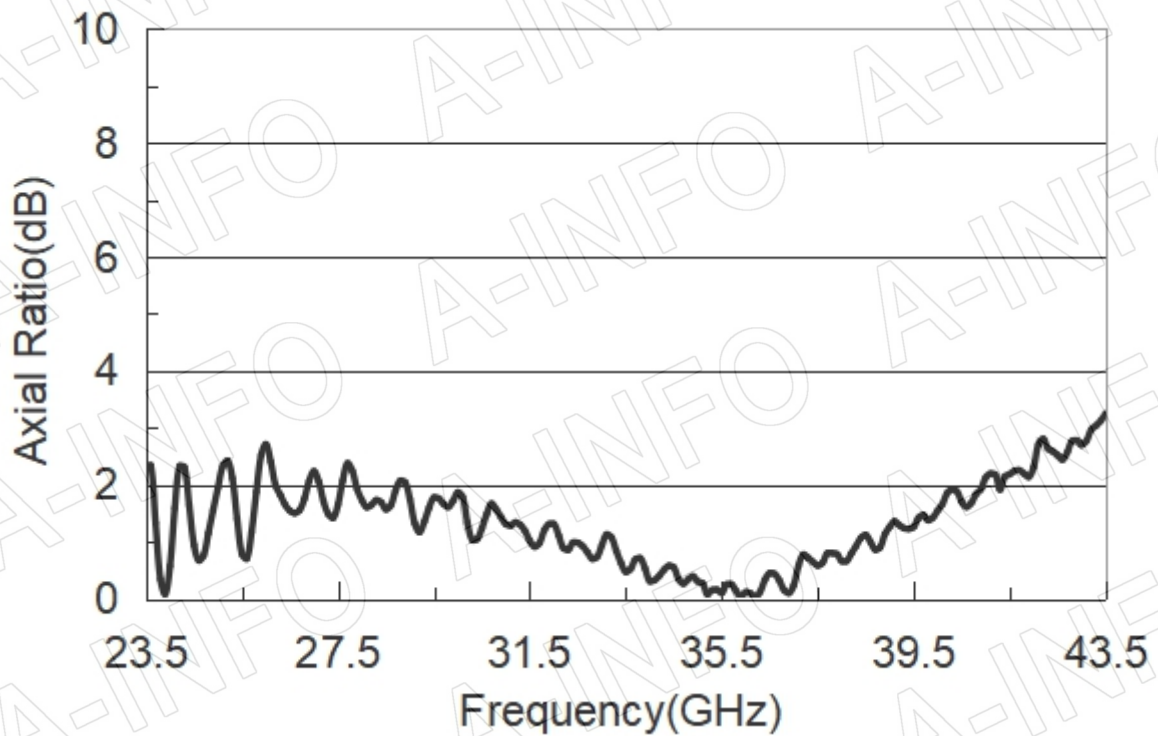
Website: www.ainfoinc.com
Email: sales@ainfoinc.com

Test Results

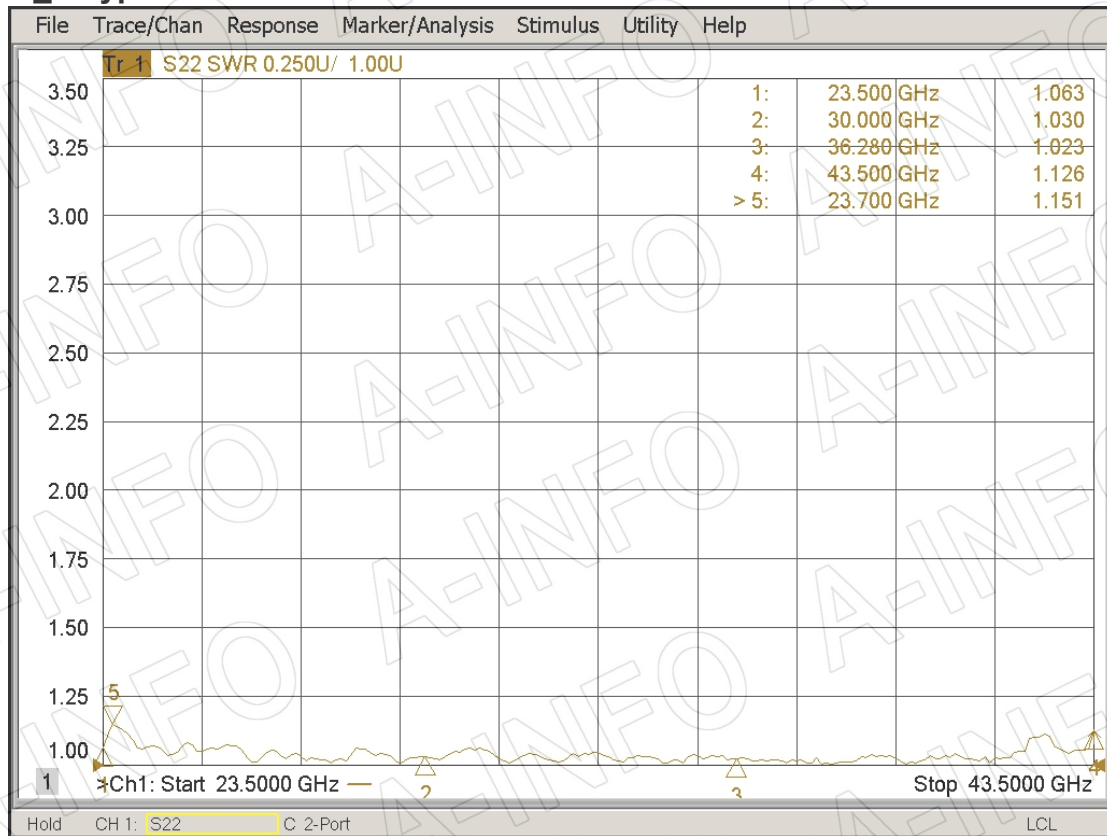
1. Gain



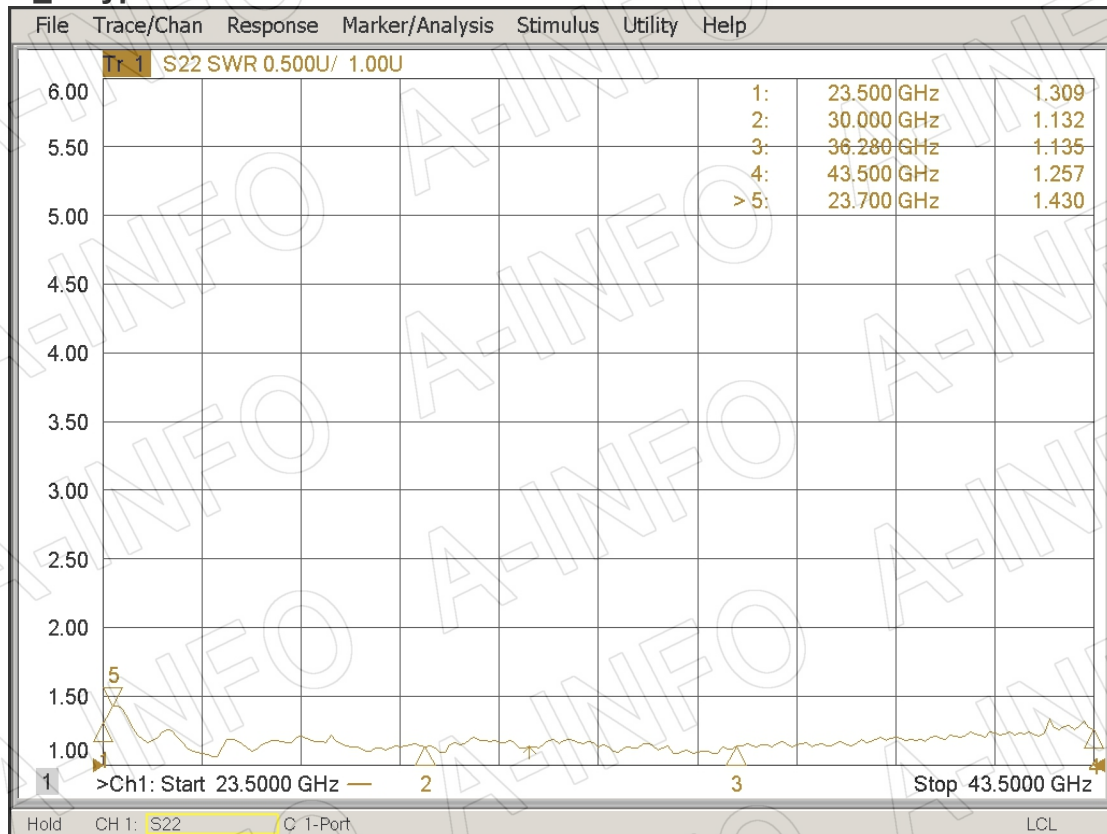
2. Axial Ratio



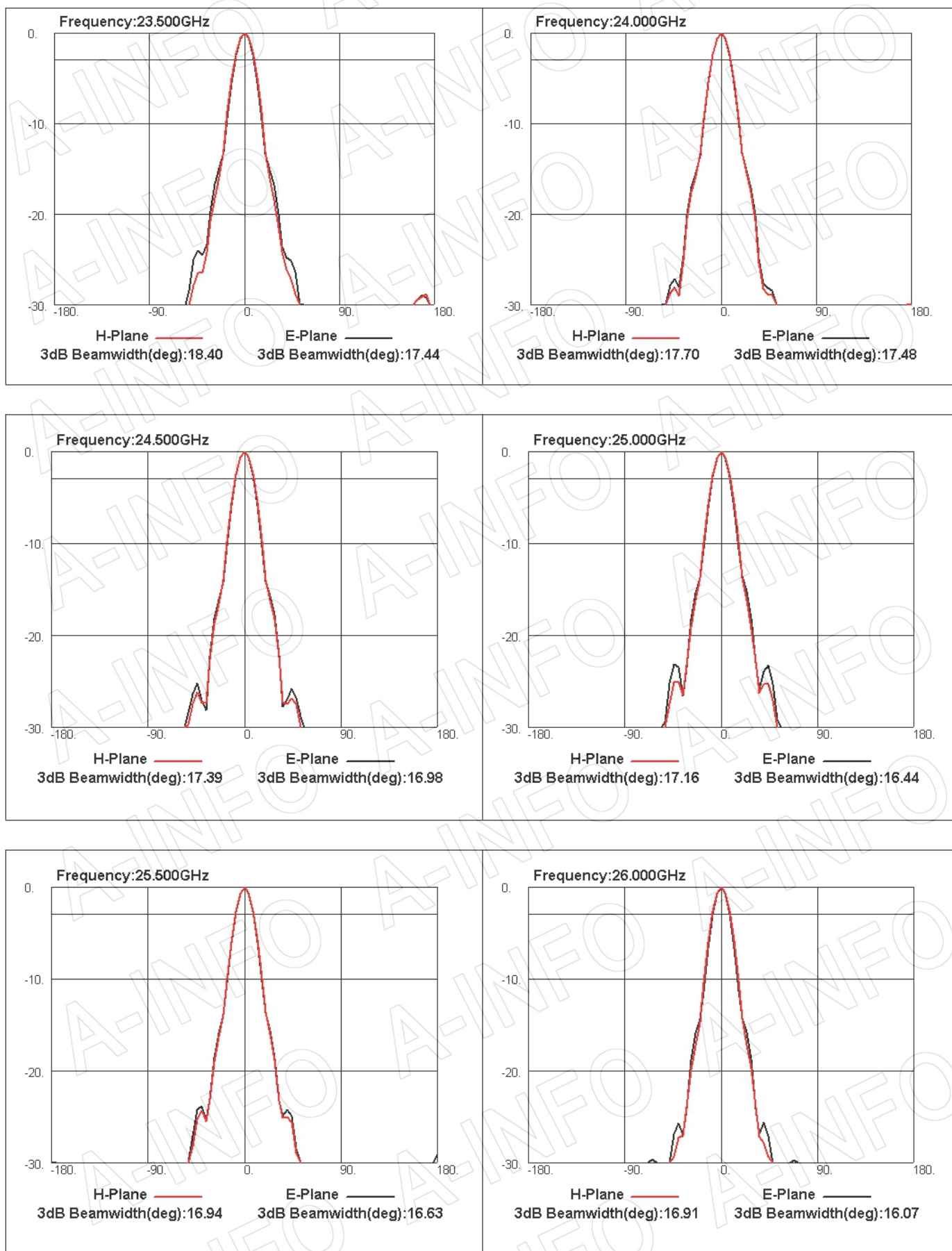
3. VSWR_A Type



VSWR_C Type



4. Pattern



AINFO Inc.

China(Beijing):
China(Chengdu):
USA :

Tel: (+86) 10-6266-7326,
Tel: (+86) 28-8519-2786,
Tel: (+1) 949-639-9688,

(+86) 10-6266-7327
(+86) 28-8519-3044
(+1) 949-639-9608

Fax: (+86) 10-6266-7379
Fax: (+86) 28-8519-3068
Fax: (+1) 949-639-9670

Website: www.ainfoinc.com
Email: sales@ainfoinc.com

